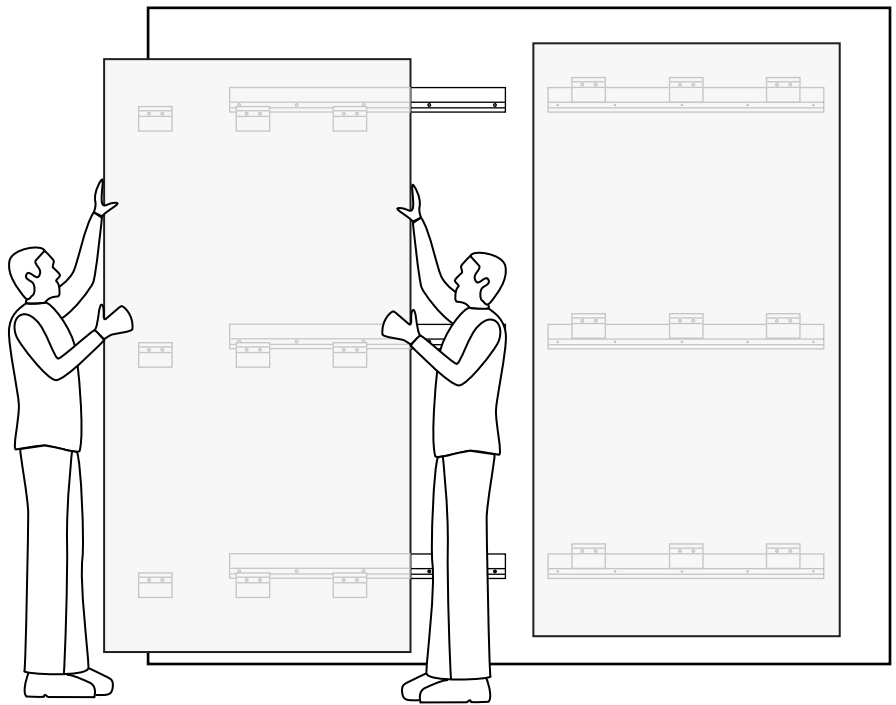
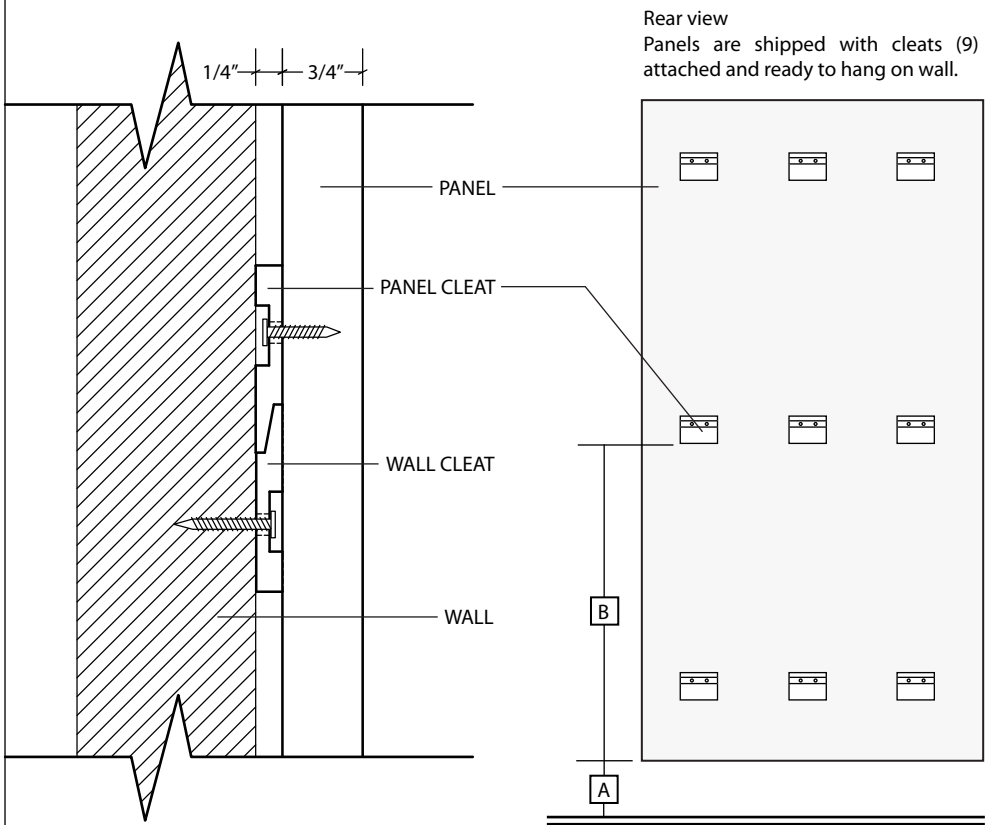
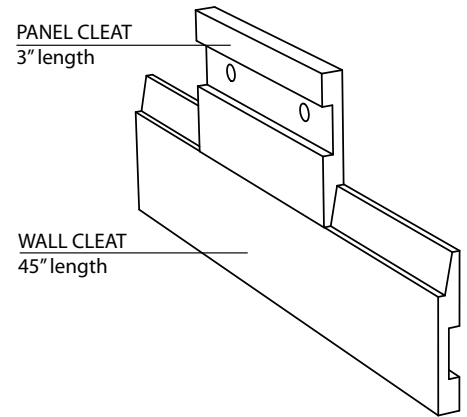


Assembly & Installation Instructions



PANEL TO WALL ATTACHMENT



WALL CLEAT ATTACHMENT PROCEDURE

1. Test.
Placement of Panel on to Wall.
(Allow at least 1" from the top edge of panel and any non moveable surface to hang panel.)
2. Measure.
 A = Panel (lower edge) to floor.
 B = Panel Cleat (lower edge) to Panel (lower edge).
3. Calculate.
 $A + B + 3/4"$ (cleat overlap) = C
4. Attach.
Align top edge of Wall Cleat w/ measurement C .
Predrill / Screw Wall Cleat into wall stud.
5. Repeat.
Procedures 1-4 or all remaining Wall Cleats.
6. Hang Panel.
Make sure that all Panel Cleats are hooked inside Wall Cleat groove.

Technical Specifications

Weight- 120-130 lbs (approx.)
Standard Panel- 96" x 48" x 3/4"
Iconic Panel - 96" x 46" x 3/4"



B&N INDUSTRIES
650.593.4127
WWW.BNIND.COM