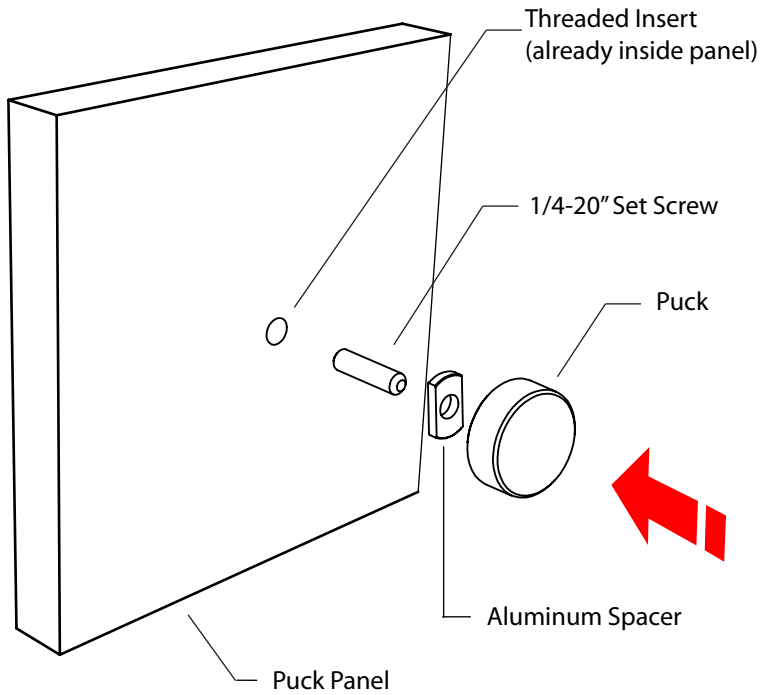


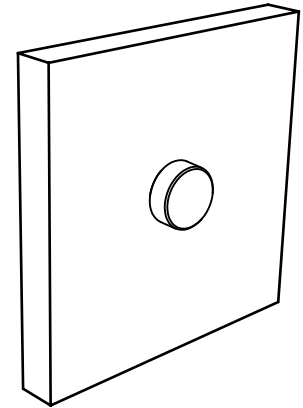
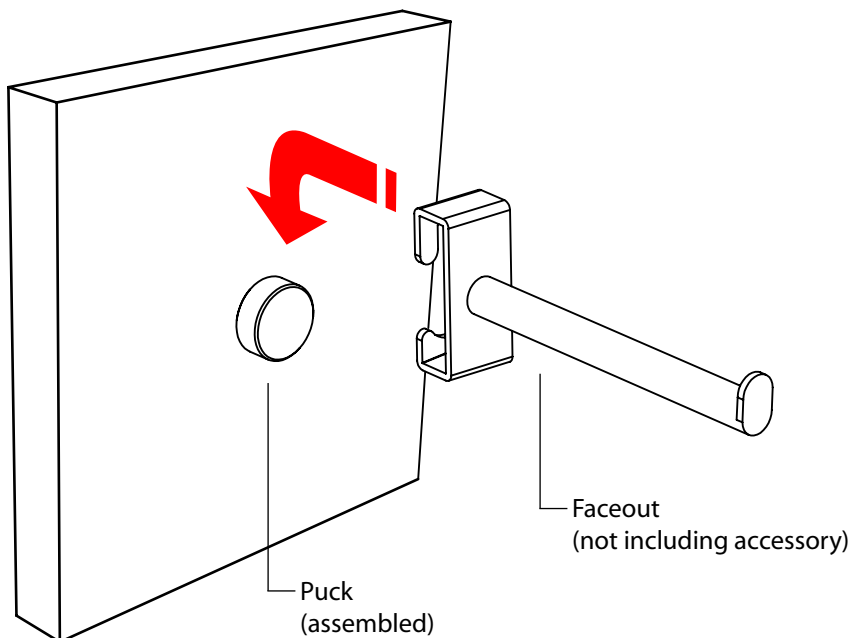
Assembly & Installation Instructions

PUCK: Puck Basic

1 Attach



2 Hang



Basic Puck Accessory Installation

1. Attach - 1/4-20" Set Screw to Puck. The ALUMINUM SPACER slides on top of the Set Screw. Tighten Puck by hand- making sure the aluminum spacer is oriented vertically (as shown in diagram, this is important to make sure you accessories are aligned correctly).

3. Hang- Locate the Backplate on the accessory. Lift Backplate over the Puck and slide accessory down so that the Puck is completely inserted into the Backplate.



B&N INDUSTRIES
650.593.4127
WWW.BNIND.COM