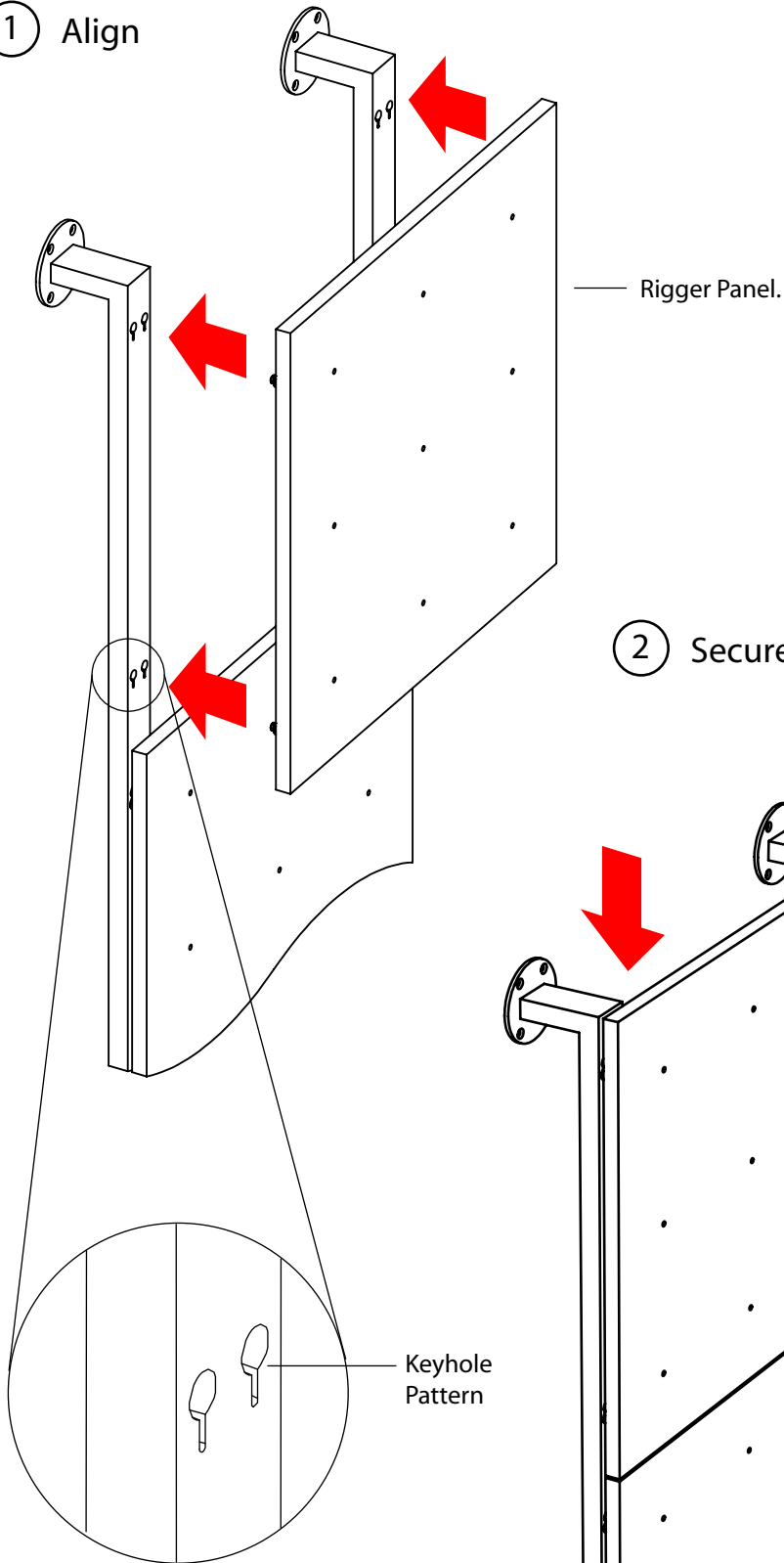
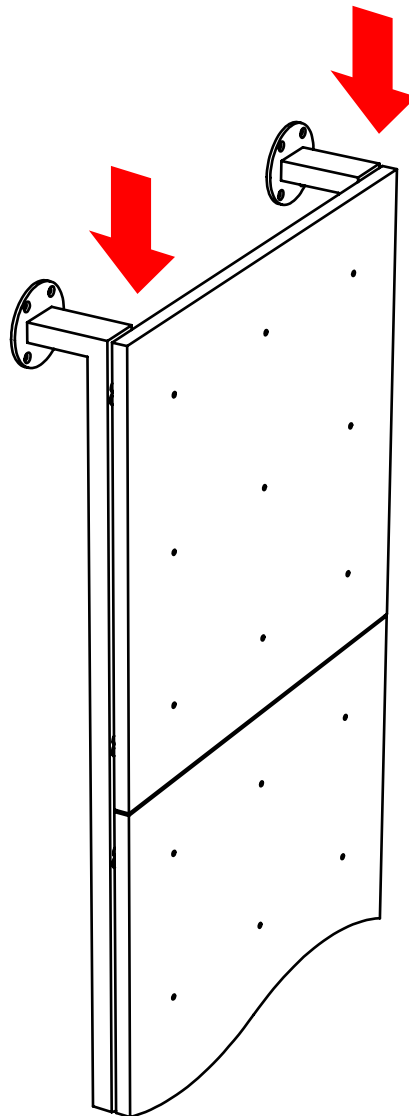


Assembly & Installation Instructions

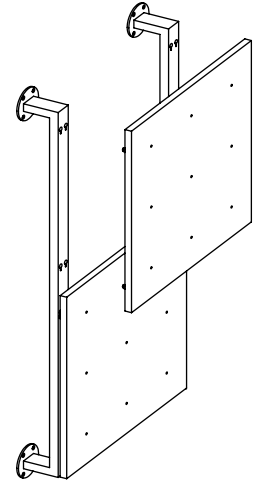
1 Align



2 Secure



RIGGER: PANELS



Basic Rigger Panel Installation

Once you have the Rigger system properly installed onto the wall you will want to attach Panels to the front surface. Make sure to start from the bottom most Panel location!

1. Align - Push panel into Rigger until pin bottoms out in hole.
2. Secure - Slide panel downward to seat the RIGGER PIN in the bottom of the Keyhole channel.



B&N INDUSTRIES
650.593.4127
WWW.BNIND.COM