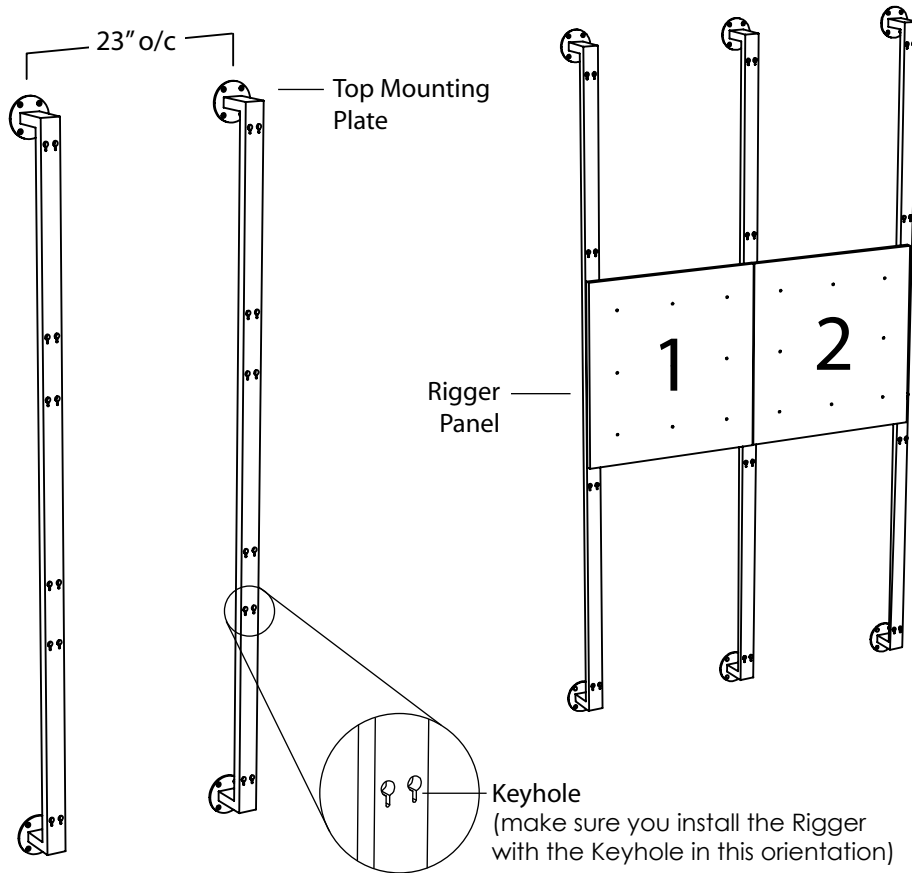


Assembly & Installation Instructions



Start by mounting the first Rigger on the wall in its planned location. Fasten the Rigger with a single screw through the top mounting plate and use a level to insure that the Rigger is straight.

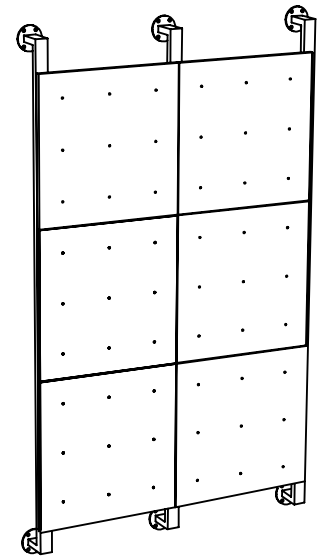
Watch the level as you turn, fasten the rest of the screws to firmly mount the Rigger on the wall. Install the first Rigger as straight as possible; it will be the guide for the rest of the wall.

Locate the position of the second Rigger so that the 'on-center' (o/c) distance between the outside hole of the first Rigger and the inside hole of the second Rigger is 23". This is the exact spacing of the pins on the panels (should you want to expose a row of keyholes, you can install the panel to the inside hole of the first Rigger and space accordingly from there). Stand the second Rigger against the wall and without mounting it, install one merchandising panel by locking the pins into the keyholes of the Rigger. Place your level on the top edge of the merchandising panel and adjust the position of the second Rigger until the panel at both the top and bottom positions on the Rigger to assure the best alignment.

Before fastening the remaining mounting screws to the second Rigger, put up the third Rigger in the same manner. Fit a second merchandising panel into place between the second and third Riggers (your wall should look like the illustration above). Make sure your merchandising panels are level and the 1/8" space between them is even. Adjust the second and third Rigger as necessary to get the best panel fit. Install the remaining screws to mount the second Rigger.

After securing Riggers to the wall, it is necessary to remove the panels that were used to space the Riggers. For final installation, place the panels on the Riggers- starting at the bottom location and work your way up.

RIGGER: WALL TO WALL



Wall To Wall Rigger Panel Installation

Your B&N Rigger System must be installed on a wall that will properly support it. If you or your architect have any questions regarding wall mount specifications, please contact your B&N representative at 1-800-350-4127.

To insure proper alignment of your finished merchandising panels, take care when installing your Riggers by following the steps.

Installation will require, in addition to the Riggers and panels, at least two people, a level, screwdriver and 8 mounting screws per Rigger (mounting hardware not supplied by B&N).



B&N INDUSTRIES
650.593.4127
WWW.BNIND.COM