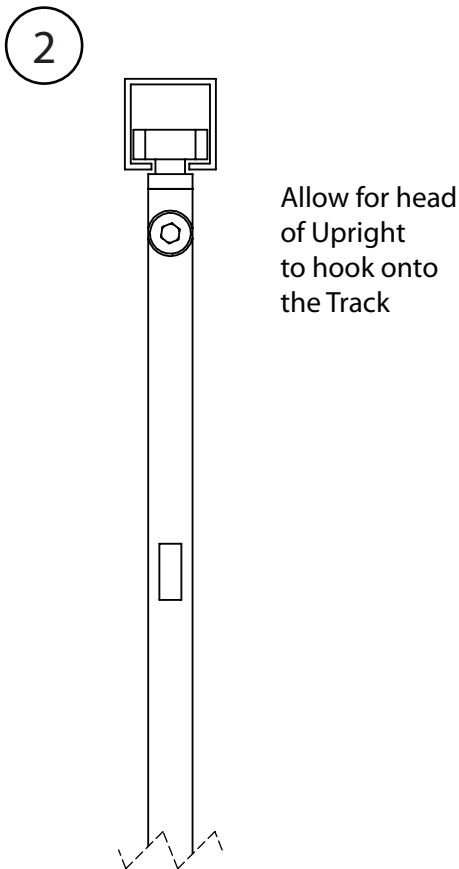
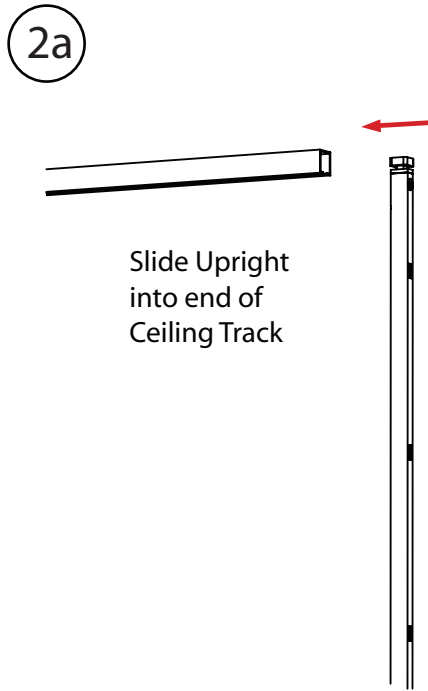
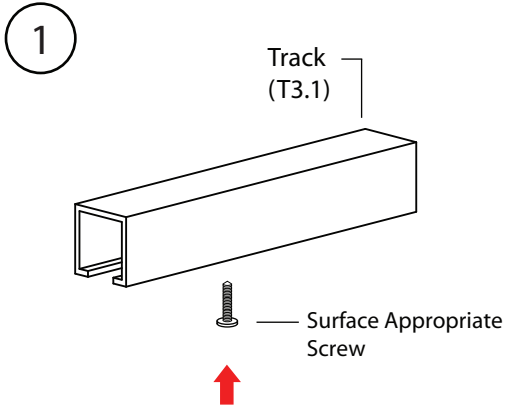


Assembly & Installation Instructions

Soffitto_ Track and Upright Installation Instructions



1 Install Ceiling Track

Using the appropriate screws, mount the track to the ceiling.
*Double check that the track is properly secured to the ceiling before proceeding.

2 Install Uprights

a
Take the Soffitto Upright and align the head with the end of the track. Slots should be facing towards the sides.

b
Slide Uprights into approximate location on ceiling track.

Uprights are easily re-positioned along the tracks to accommodate different width Accessories. The upright position will be dependant upon the width of accessories used.

APPROVED
By dwilliams at 3:51 pm, Jun 23, 2010



B&N INDUSTRIES
650.593.4127
WWW.BNIND.COM