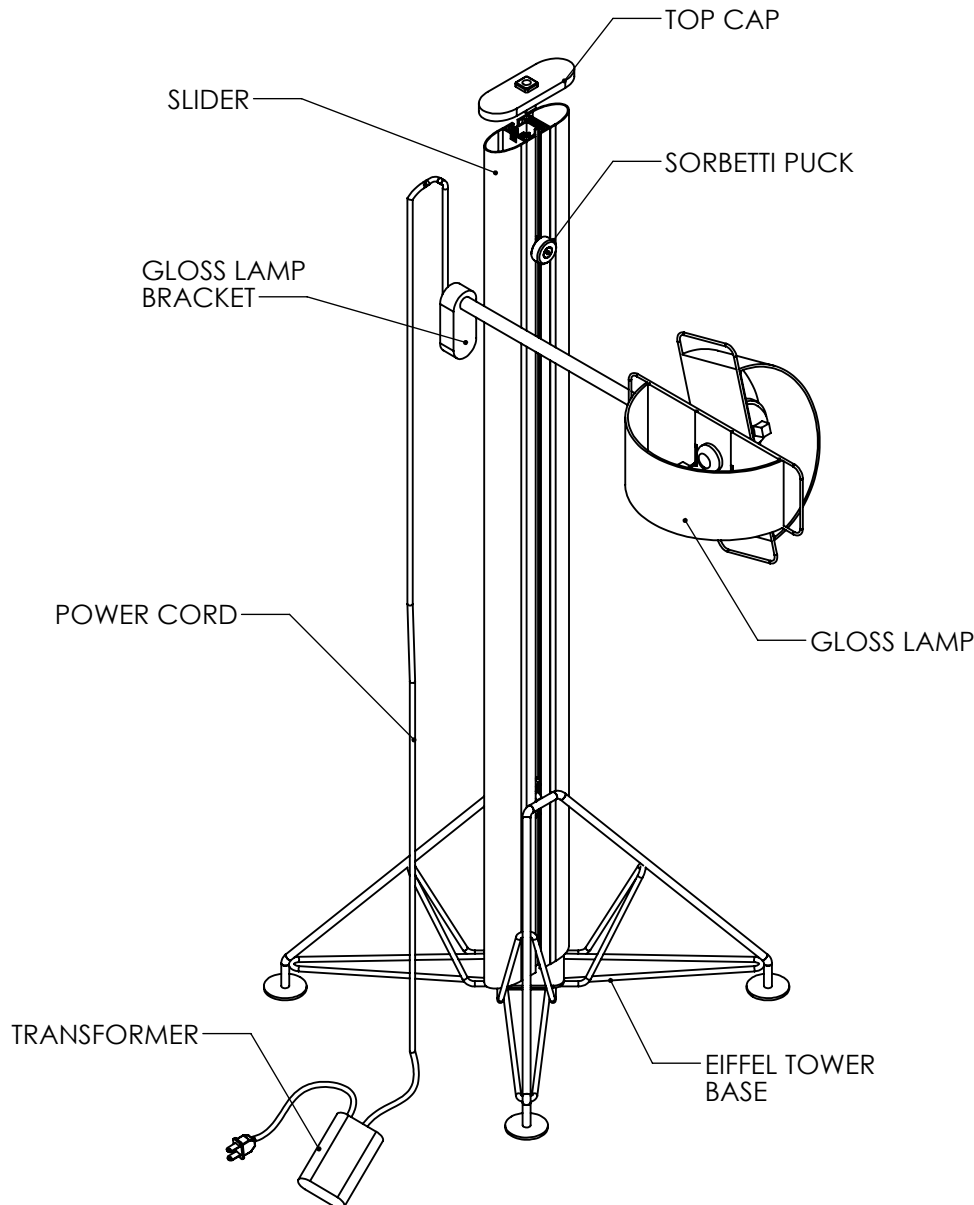
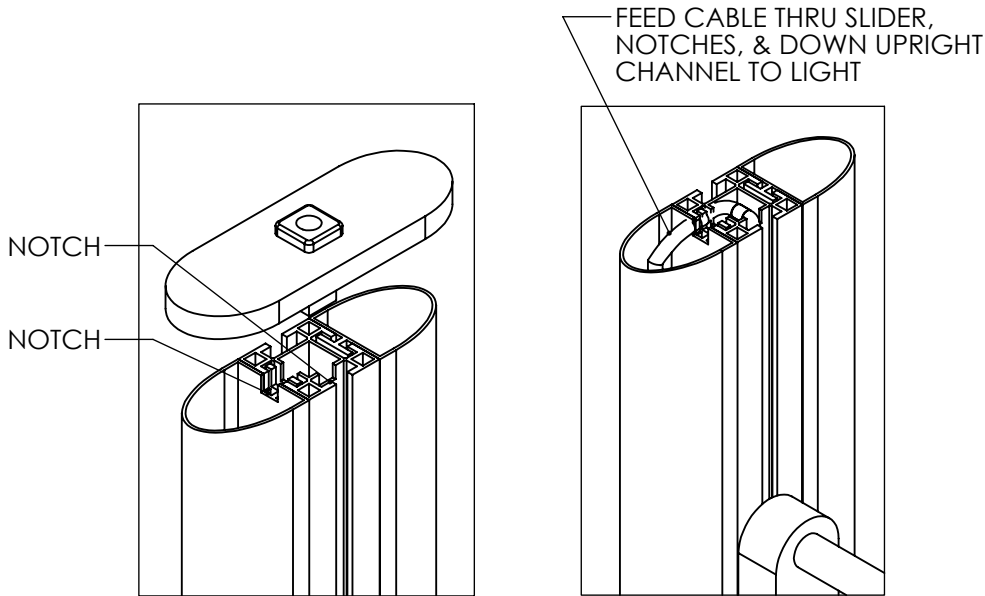
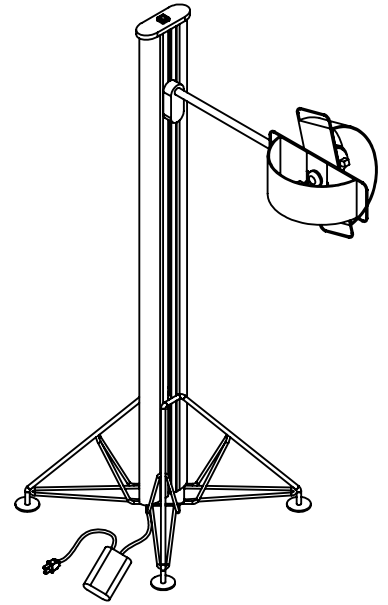


# Assembly & Installation Instructions



# Gloss Lamp



## Gloss Lamp Installation

1. Notch the slider & upright where shown using a drill or saw, big enough for the power cord to fit into.
2. Assemble the fixture, minus the Gloss lamp, power cord, and top cap.
3. Feed the power cord up through the bottom of the slider; the power plug and transformer will remain outside the bottom of the slider.
4. Connect the power cord from the Gloss Lamp to the power cord from the transformer. Feed the power cord through the notches, and down the channel of the upright.
5. Attach the Gloss lamp to the Sorbetti puck.
6. Pull the power cord taught to eliminate any slack. being careful not to snag or tear the power cord on any sharp edges..
7. Attach the top cap.



**B&N INDUSTRIES**  
650.593.4127  
WWW.BNIND.COM