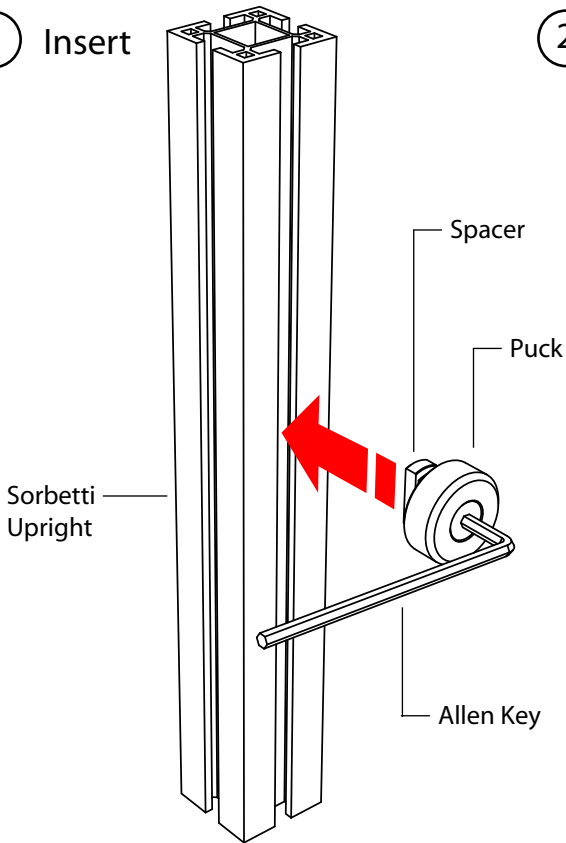
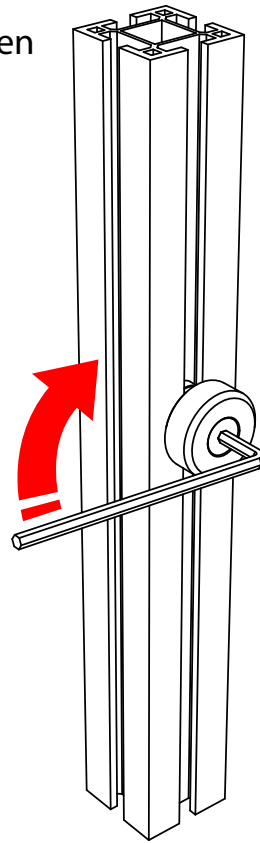


Assembly & Installation Instructions

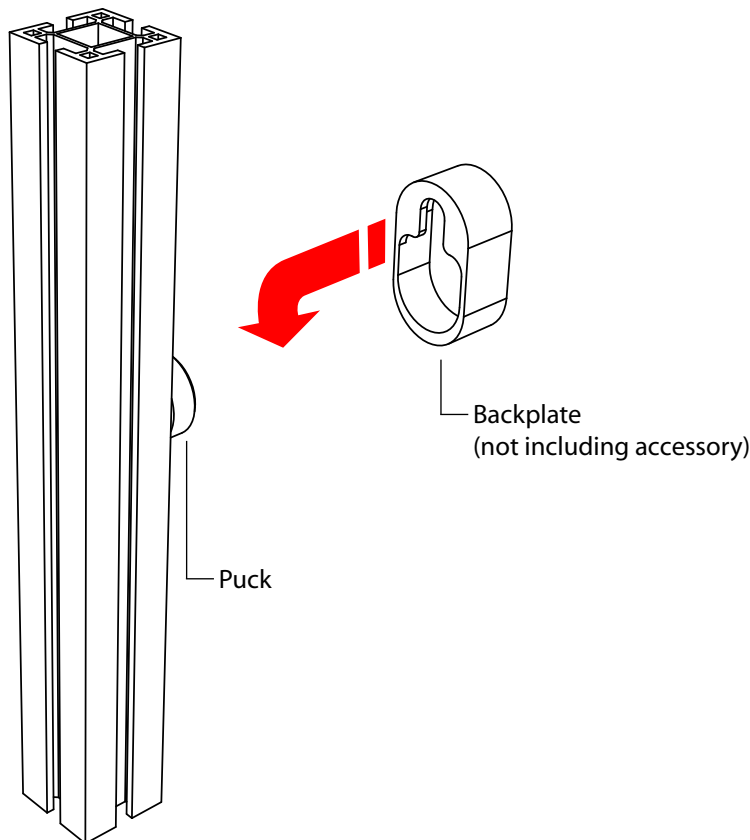
① Insert



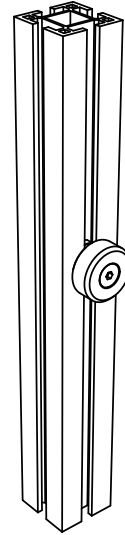
② Tighten



③ Hang



SORBETTI: BASIC



Basic Sorbetti Accessory Installation

1. Insert- Make sure the back of the PUCK is aligned with the EXTRUSION and the spacer sits inside of the channel.
2. Tighten- As the bolt tightens be sure the SPACER rotates and locks against the inside of the channel, securing the PUCK in place.
3. Hang- Locate the BACKPLATE on the accessory. Lift BACKPLATE over the PUCK and slide accessory down so that the PUCK is completely inserted into the BACKPLATE.

Note:



B&N INDUSTRIES
650.593.4127
WWW.BNIND.COM