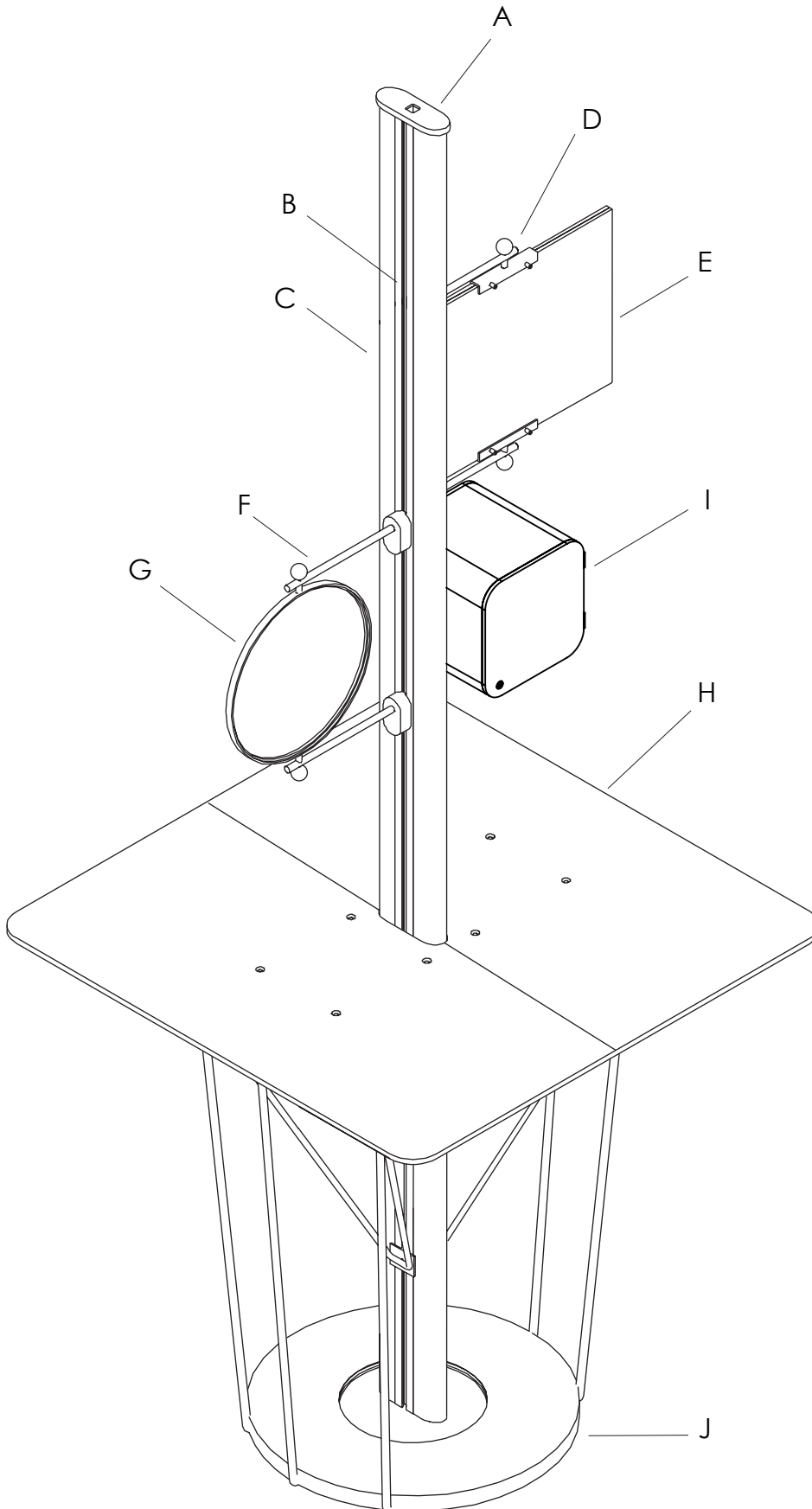
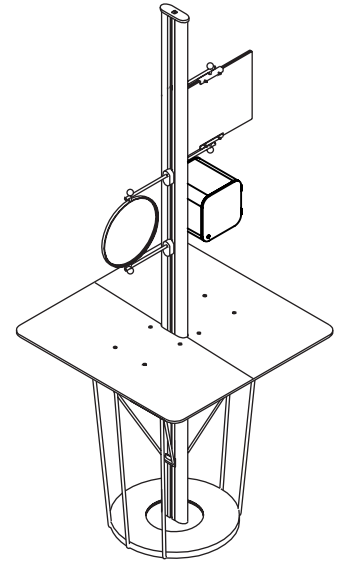


Assembly & Installation Instructions



SORBETTI: MAKE-UP STATION



Sorbetti Make-Up Station

- A Top Cap for Extrusion
- B Sorbetti Aluminum Upright
- C Sorbetti Aluminum Sliders
- D Sorbetti Top Bracket
- E 18 x 18 Acrylic Sign Holder
- F 11 Inch Aluminum Sign Bracket
- G 16" Dia. Framed Mirror
- H 18 x 36 Rectangular Table
- I Clear Single Locking Acrylic Cube
- J 20" Table Base

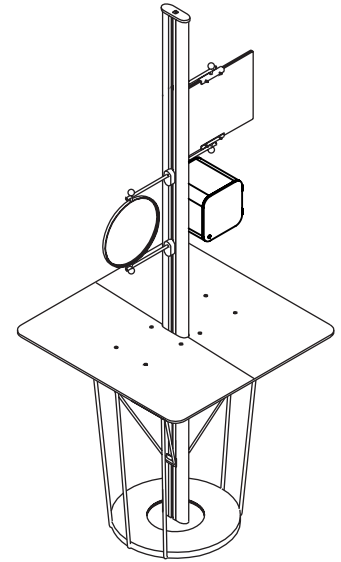
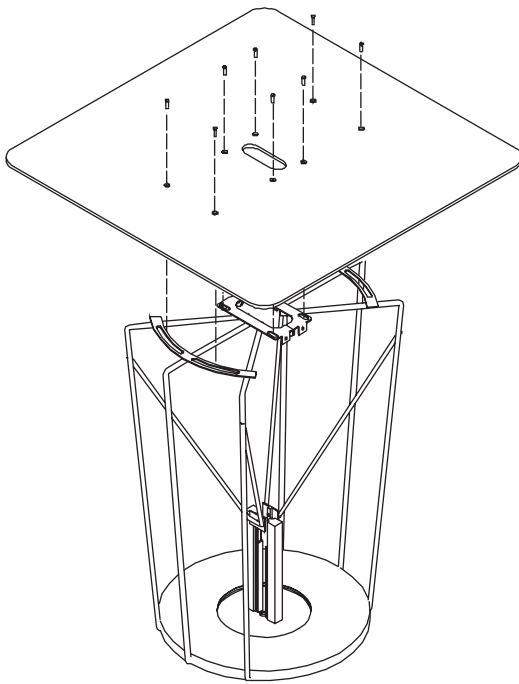


B&N INDUSTRIES
650.593.4127
WWW.BNIND.COM

Assembly & Installation Instructions

SORBETTI: MAKE-UP STATION

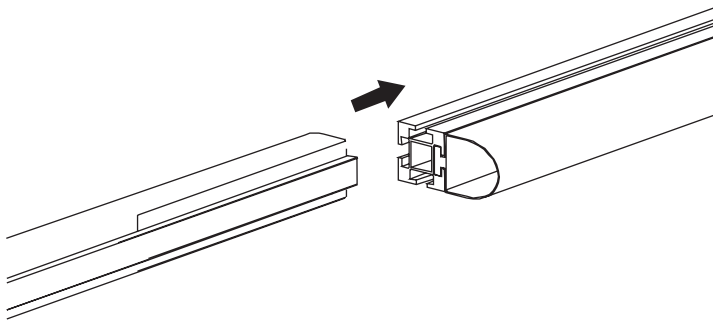
1



Sorbetti Make-Up Station

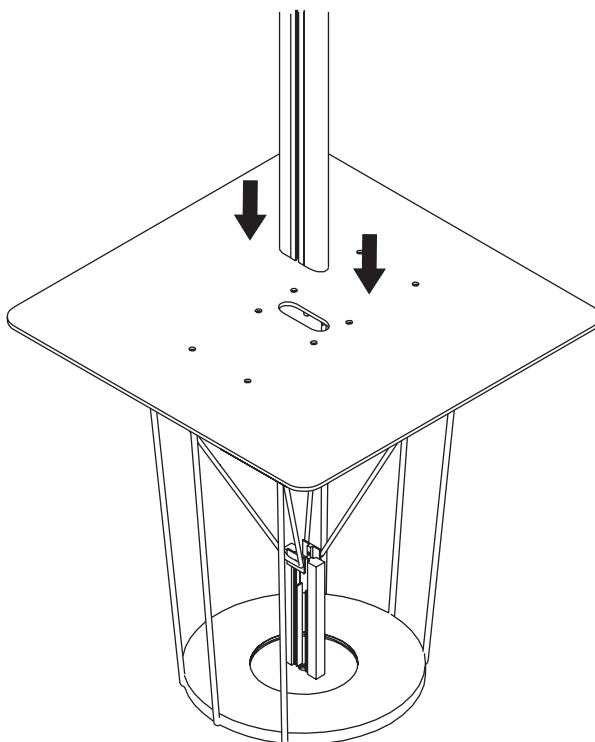
1. Place the table on the wire base so that the holes line up with the mounting brackets. Drop the screws into place for each hole and attach the bolts. Do not completely tighten the bolts at this point so that the table can be adjusted later.

2



2. Next attach the sliders to the aluminum upright. Be sure that the modified end of the slider is at the bottom of the pole.

3



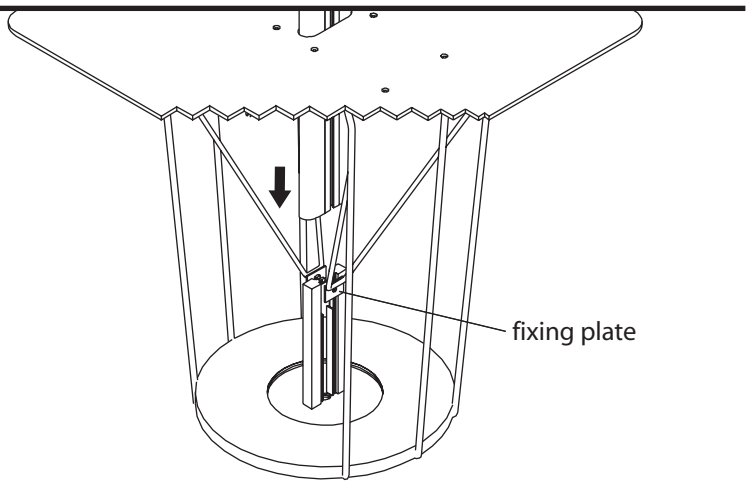
3. Lift the upright and sliders above the table and lower down thru the oval cutout in the center of the table.



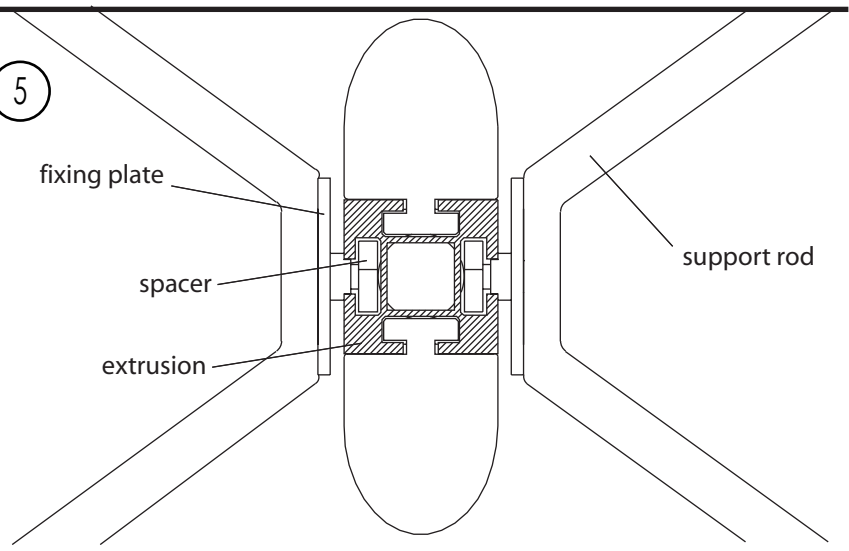
B&N INDUSTRIES
650.593.4127
WWW.BNIND.COM

Assembly & Installation Instructions

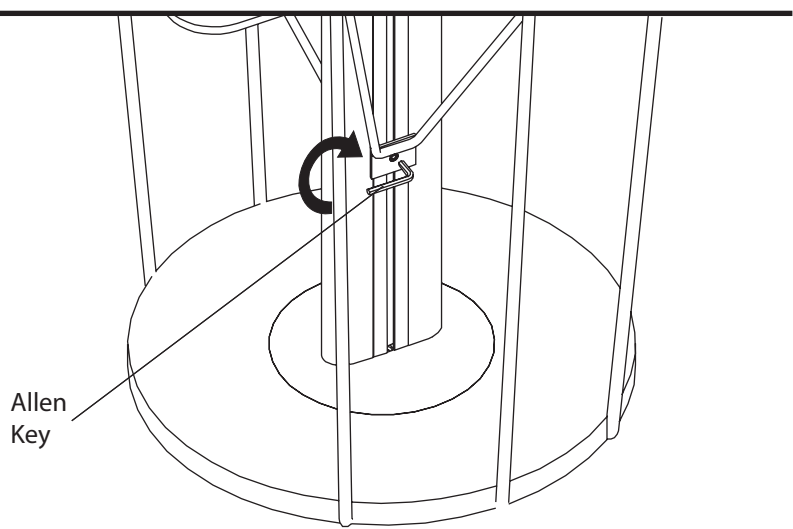
4



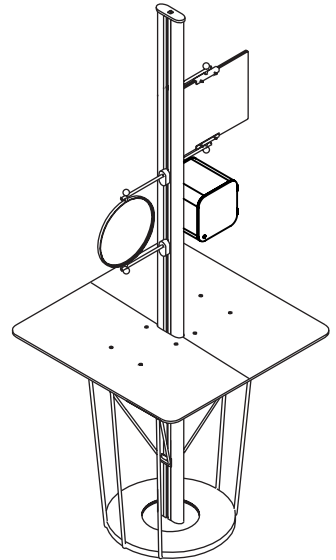
5



6



SORBETTI: MAKE-UP STATION



Sorbetti Make-Up Station

4. Continue to lower the upright into position. Be sure that the spacers attached to the fixing plates go into the channel of the aluminum extrusion.

5. The diagram illustrates the spacers attached to the fixing plate fitting inside the side channels of the aluminum extrusion.

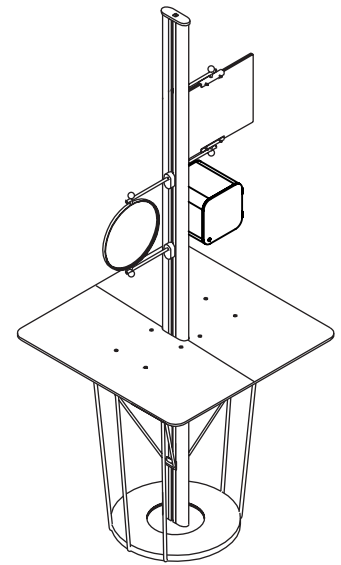
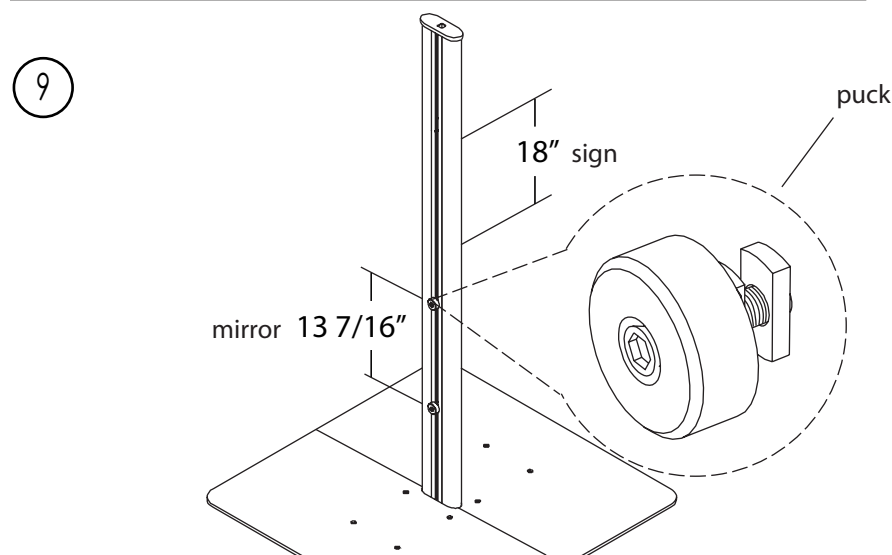
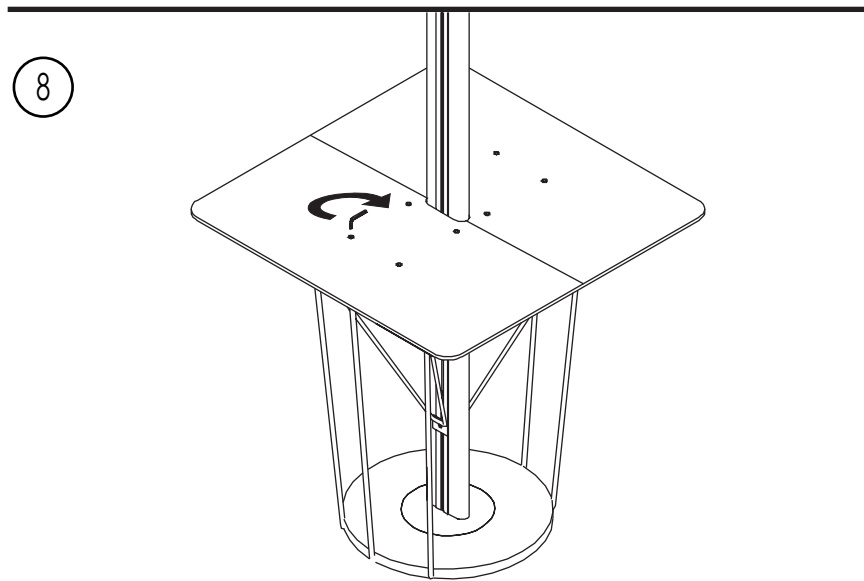
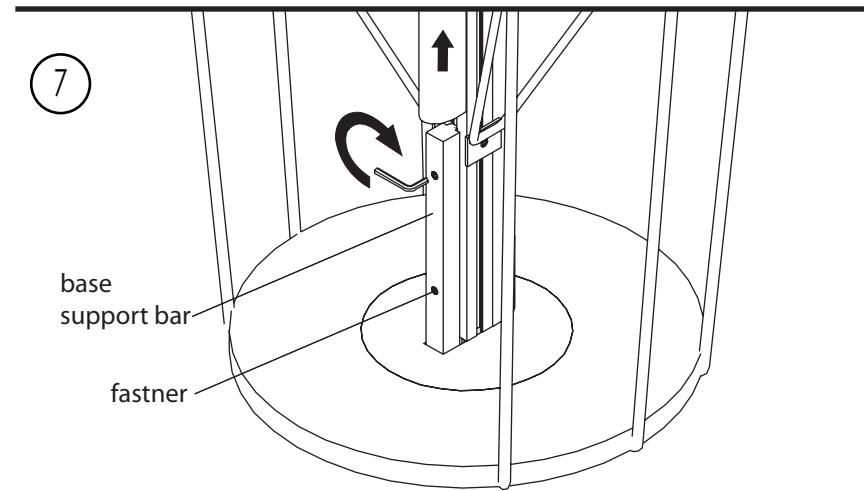
6. When the upright and sliders are resting on the surface of the base tighten the fixing plates using the provided allen key.



B&N INDUSTRIES
650.593.4127
WWW.BNIND.COM

Assembly & Installation Instructions

SORBETTI: MAKE-UP STATION



Sorbetti Make-Up Station

7. Lift each slider up so that the support bars on the base are exposed. Tighten the fasteners using the provided allen key. Lower the slider back into position. Repeat this process on the other side.

8. Tighten the table fasteners in place using the provided allen key.

9. Attach pucks to the side of the upright as pictured. (Note: see separate instructions for attaching the puck to the upright.)

10. Attach all accessories by sliding puck bracket over the pucks on the upright. (Note: see separate instructions for attaching puck accessories to the sorbetti upright.)



B&N INDUSTRIES
650.593.4127
WWW.BNIND.COM