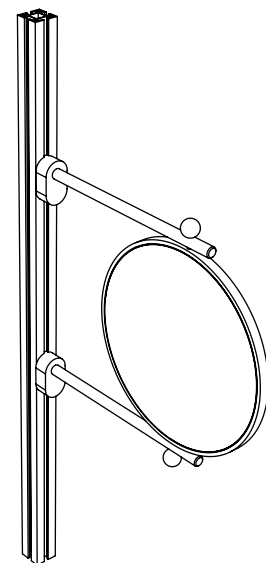
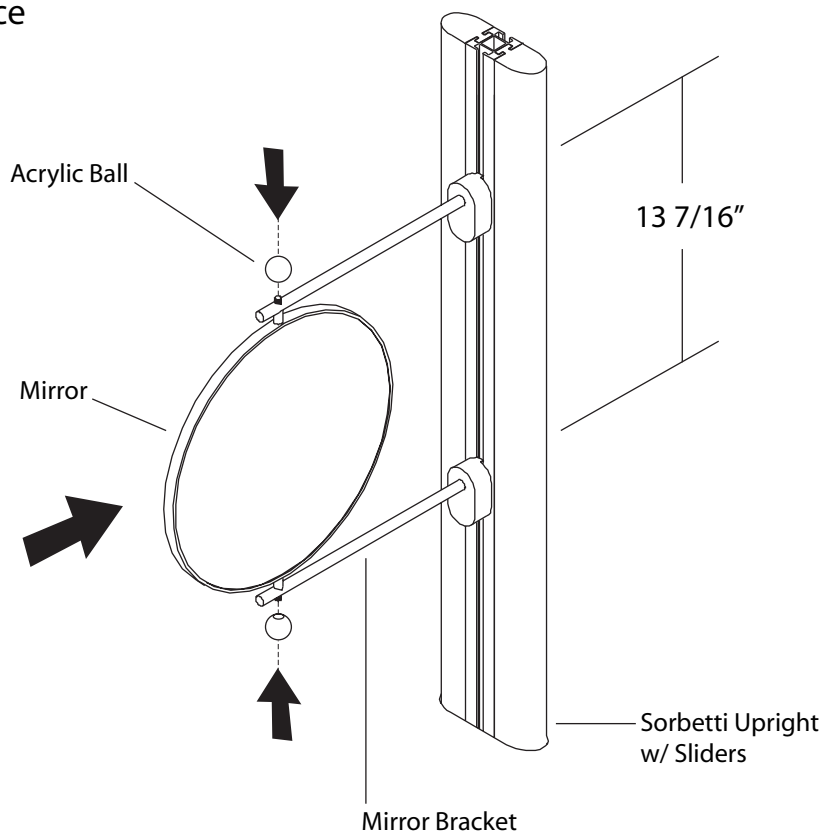


Assembly & Installation Instructions

SORBETTI: Mirror

① Place

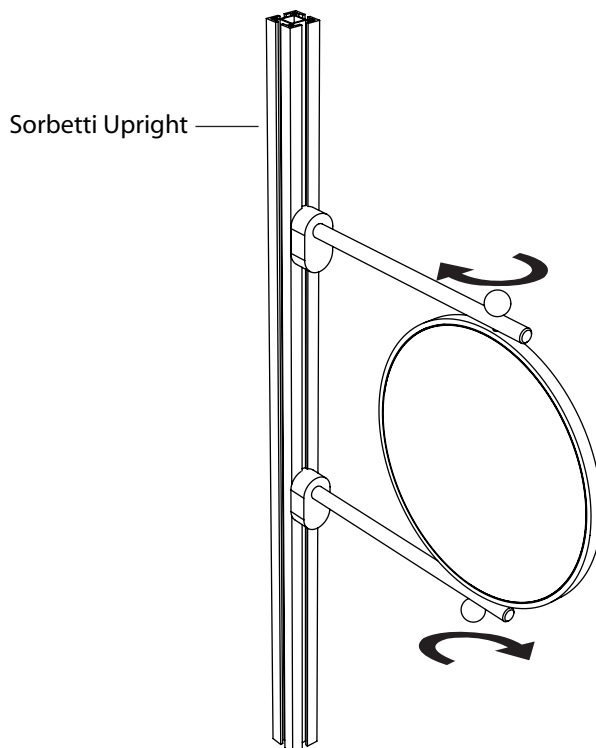


Sorbetti Mirror Installation

1. Place- mirror in between the two brackets sliding the threaded ends through the support tubes of the brackets.
2. Adjust and Tighten- the ACRYLIC BALLS until the MIRROR is firmly held by the BRACKETS. (To adjust MIRROR height- remove MIRROR and MIRROR BRACKETS and reposition the Sorbetti PUCK.)

Note: Distance between the two PUCKS = 13 7/16" (center to center)

② Adjust & tighten



B&N INDUSTRIES
650.593.4127
WWW.BNIND.COM