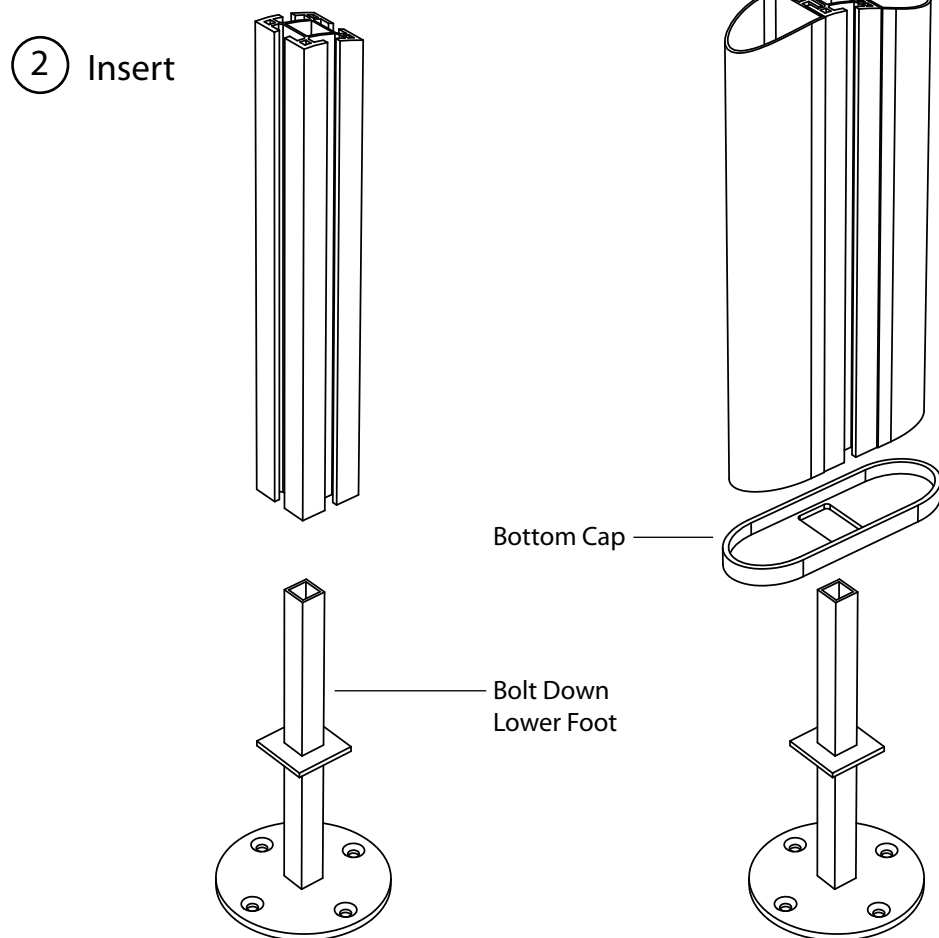
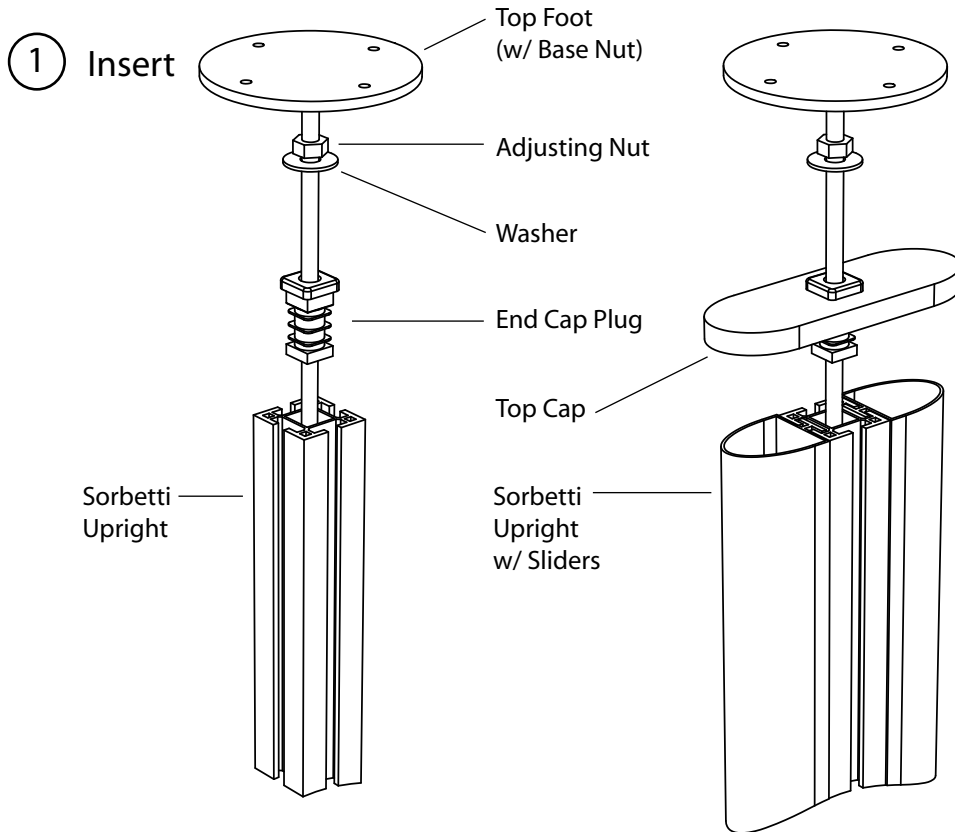
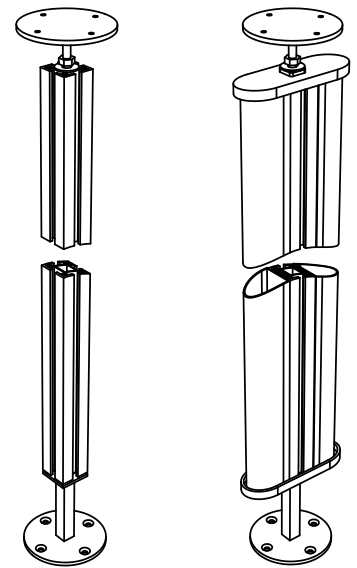


Assembly & Installation Instructions



SORBETTI: TENSION SYSTEMS



Sorbetti Tension Foot Setup

1. Insert- TOP FOOT assembly into SORBETTI UPRIGHT, making sure of the correct order of parts. **Be sure ADJUSTING NUT is adjusted all the way to the BASE NUT to allow for maximum clearance between TOP FOOT and ceiling during install.**

2. Insert- BOLT DOWN LOWER FOOT into the bottom of the Sorbetti UPRIGHT.

3. Adjust- Turn TOP FOOT clockwise until it comes in contact with the ceiling- fitment should be snug. Once the desired location and adjustment has been set lock ADJUSTING NUT into the END CAP by turning it clockwise with an adjustable wrench.

4. Secure- Screw TOP FOOT and BOLT DOWN LOWER FOOT if necessary with provided wood screws.

Note: Sorbetti Tension TOP FOOT has a maximum adjustment range of 3"
Check pole assembly over time to make sure it remains firmly attached.



B&N INDUSTRIES
650.593.4127
WWW.BNIND.COM